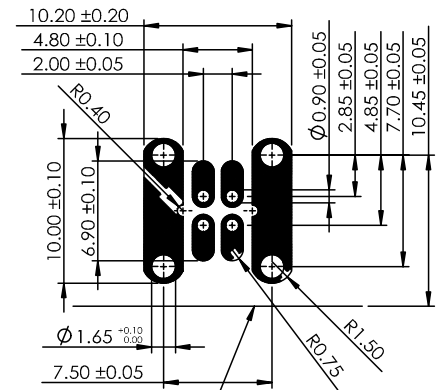
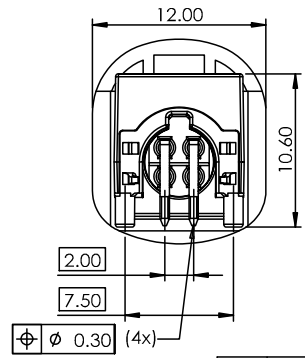
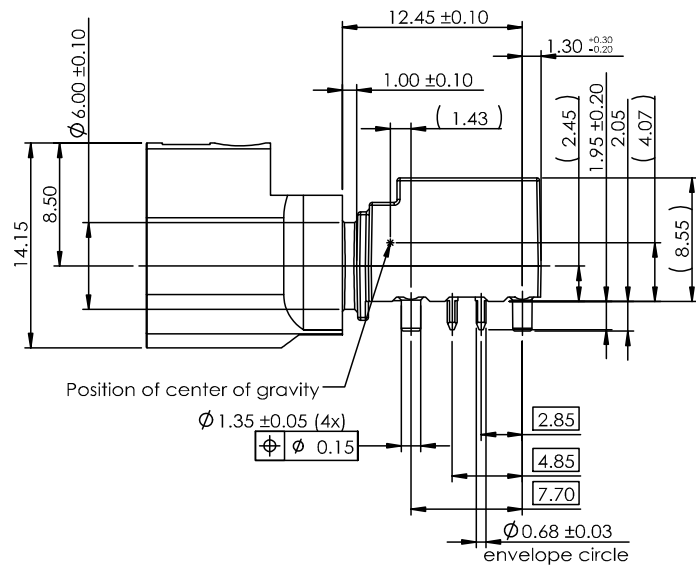
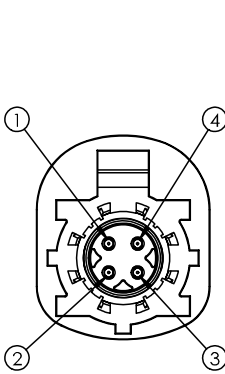
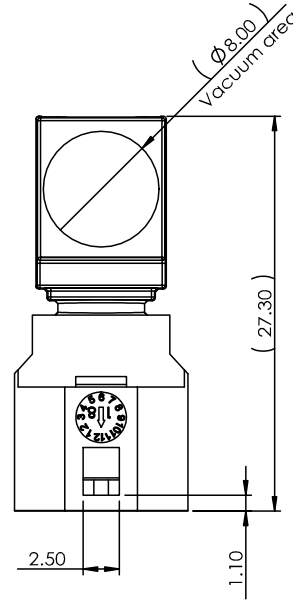
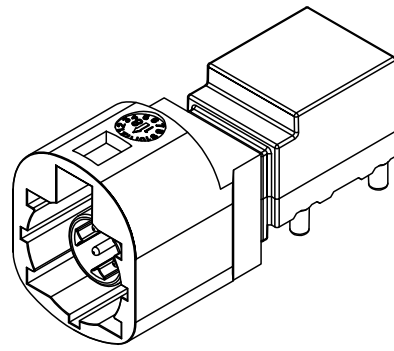


THIS DRAWING AND THE DATA DISCLOSED HEREIN OR HEREWITH IS NOT TO BE REPRODUCED USED OR DISCLOSED IN WHOLE OR IN PART TO ANYONE WITHOUT THE PERMISSION OF JESS-LINK PRODUCTS CO.,LTD.(JPC)

CUSTOMER DRAWING
DRWC-007701

REV.	ECN NO.	DESCRIPTION	MDF'D	APP'D	DATE
01		INITIAL DESIGN	Philip	Richard	06/30/2023
02		UPDATE DRAWING	Philip	Richard	03/11/2024
03					

SPECIFICATION
MATERIAL
 Insulator: PA9T
 Contacts: Brass
 Outer Contacts: Zinc Alloy
 Contact Plating
 Contact area: 6u" Selective gold
 Solder tails area: 120u"~240u" Tin (Lead Free)
 Outer Contact Plating:
 Underplate: 120u"~240u" Tin (Matte) over 120u"~240u" Nickel over 600u"~800u" Cu
ELECTRICAL
 Impedance, differential mode: 100 Ω differential signalling, for one pair or quad cable shielded
 Frequency: DC to 2.0 GHz
 Return loss: ≥ 20 dB to 1.0 GHz
 ≥ 17 dB to 2.0 GHz
 Insertion loss: ≤ 0.1 dB @ 1.0 GHz
 Insulation resistance: ≥ 1000MΩ
 Signal contact resistance: ≤ 10mΩ
MECHANICAL
 Mating Cycles: ≥ 25 Cycles
 Engagement force: ≤ 30N
 Disengagement force: ≥ 5N
 Retention force latch: ≥ 110 N
 Coding efficiency: ≥ 80N
 Temperature range: -40°C TO +105°C
PACKING STYLE
 Tape & Reel



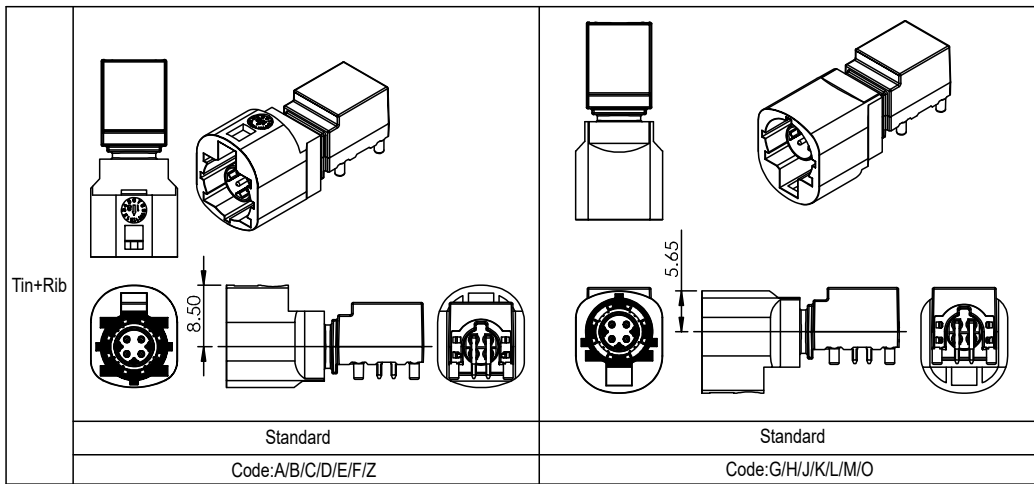
Platinkante edge of PCB
 RECOMMENDED P.C.B. LAYOUT
 TOLERANCE: ±0.05mm

RoHS COMPLIANT	Unit:mm(inch)	PROJECTION	JPC connectivity		PD./FILE NO.
	GENERAL TOLERANCES: (UNLESS SPECIFIED)				
	0 = ±1 (0.039)	D.R. 06/30/2023	TITLE	HSD Header X-Code R/A Shell	REV. 02
	0.0 = ±1 (0.039)	Philip	CH.K 06/30/2023	Height=8.55mm Connector	
0.0 = ±1 (0.039)	Philip	APV,D 06/30/2023	SCALE	SIZE	PART NO.
0.0 = ±1 (0.039)	Richard		3:1	A4	PZANHSDA0204X
0.0 = ±1 (0.039)					SHEET 1 OF 2

1	2	3	4	5	6	7	8				
THIS DRAWING AND THE DATA DISCLOSED HEREIN OR HEREWITH IS NOT TO BE REPRODUCED USED OR DISCLOSED IN WHOLE OR IN PART TO ANYONE WITHOUT THE PERMISSION OF JESS-LINK PRODUCTS CO.,LTD.(JPC)				CUSTOMER DRAWING DRWC-007701		REV.	ECN NO.	DESCRIPTION	MDF'D	APP'D	DATE
						01		INITIAL DESIGN	Philip	Richard	06/30/2023
						02		UPDATE DRAWING	Philip	Richard	03/11/2024
						03					

Coding	A	B	C	D	E	F	Z
Plug							
Color	Black	White	Blue	Bordeaux	Green	Brown	Water Blue
Coding	G	H	J	K	L	M	O
Plug							
Color	Blue Grey	Heather Violet	Beige	Curry	Yellow Green	Pastel Orange	Light Green

KEY	Product Name	Color	P/N.
A	HSD Plug A-Code R/A Shell Height=8.55mm Connector	Black	PZANHHSDA0204A
B	HSD Plug B-Code R/A Shell Height=8.55mm Connector	White	PZANHHSDA0204B
C	HSD Plug C-Code R/A Shell Height=8.55mm Connector	Blue	PZANHHSDA0204C
D	HSD Plug D-Code R/A Shell Height=8.55mm Connector	Bordeaux	PZANHHSDA0204D
E	HSD Plug E-Code R/A Shell Height=8.55mm Connector	Green	PZANHHSDA0204E
F	HSD Plug F-Code R/A Shell Height=8.55mm Connector	Brown	PZANHHSDA0204F
G	HSD Plug G-Code R/A Shell Height=8.55mm Connector	Blue Grey	PZANHHSDA0204G
H	HSD Plug H-Code R/A Shell Height=8.55mm Connector	Heather Violet	PZANHHSDA0204H
J	HSD Plug J-Code R/A Shell Height=8.55mm Connector	Beige	PZANHHSDA0204J
K	HSD Plug K-Code R/A Shell Height=8.55mm Connector	Curry	PZANHHSDA0204K
L	HSD Plug L-Code R/A Shell Height=8.55mm Connector	Yellow Green	PZANHHSDA0204L
M	HSD Plug M-Code R/A Shell Height=8.55mm Connector	Pastel Orange	PZANHHSDA0204M
O	HSD Plug O-Code R/A Shell Height=8.55mm Connector	Light Green	PZANHHSDA0204O
Z	HSD Plug Z-Code R/A Shell Height=8.55mm Connector	Water Blue	PZANHHSDA0204Z



RoHS COMPLIANT	Unit:mm(inch)	PROJECTION	JPC connectivity	
	GENERAL TOLERANCES: (UNLESS SPECIFIED)	D.R. 06/30/2023	TITLE	PD./FILE NO.
	0 =±1 (0.039)	Philip	HSD Header X-Code R/A Shell Height=8.55mm Connector	
	0.0 =±.5 (0.02)	CH.K 06/30/2023	SCALE	REV. 02
0.000=±.15(0.006)	Philip	SIZE A4	PART NO.	SHEET 2 OF 2
0° =± 2'	APV,D 06/30/2023	Richard	PZANHHSDA0204X	
0.0° =± 1'				